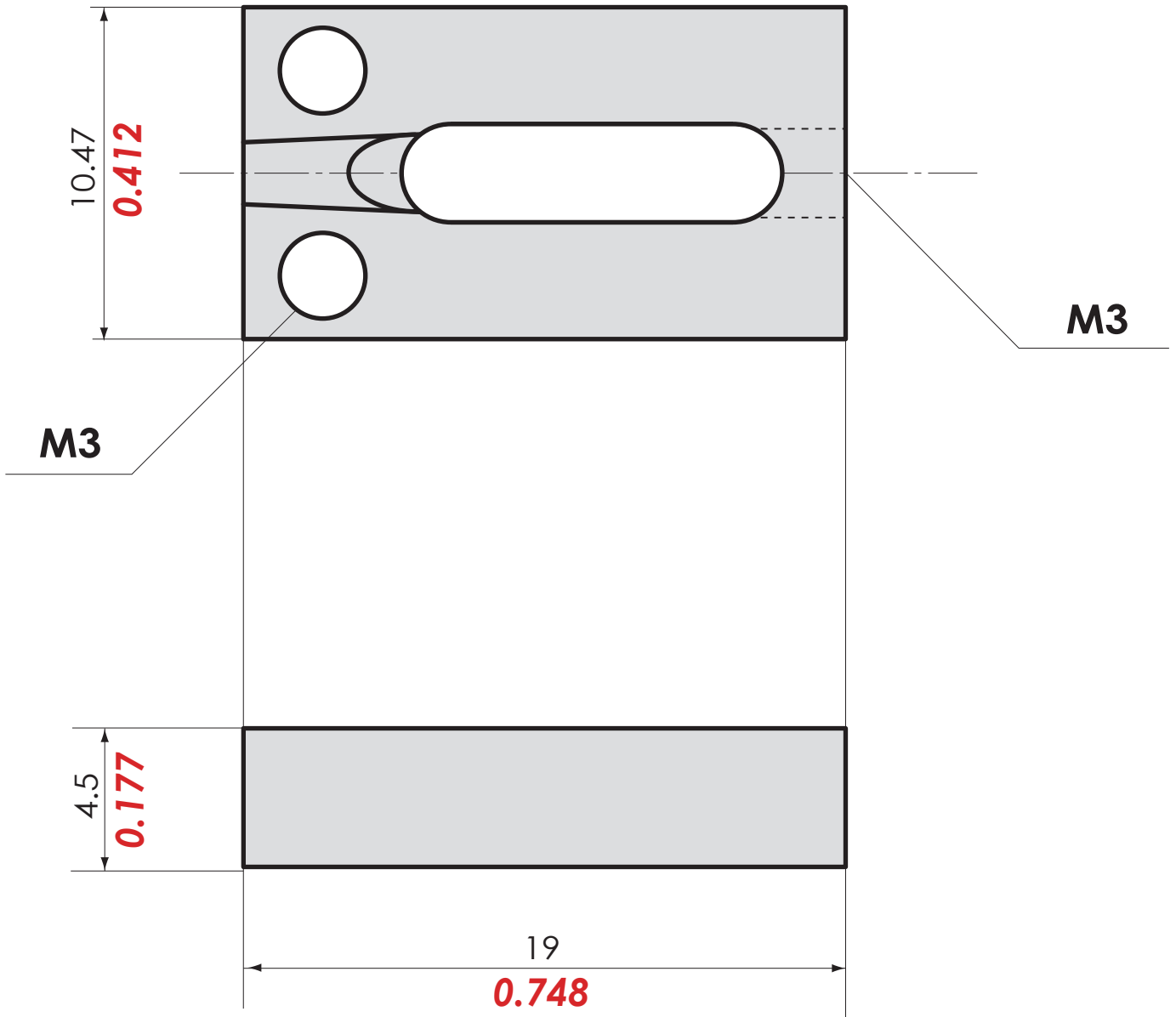


PR-17



mm
inch

E to E = 52.5 mm
2¹/₁₆ inch